



PHONE NO. 800-448-2343 • FAX NO. 330-744-1228 • www.glipoolproducts.com

CUSTOM ORDER FORM

Pattern _____	Mil _____
Shipping: <input type="checkbox"/> UPS Ground <input type="checkbox"/> 1-Day Air <input type="checkbox"/> 2-Day Air	<input type="checkbox"/> Common Carrier <input type="checkbox"/> Other 24 Hour Express Service <input type="checkbox"/> Express Service

DISTRIBUTOR INFORMATION

DISTRIBUTOR NAME _____
 DISTRIBUTOR ADDRESS _____
 CITY _____ STATE _____ ZIP _____
 CONTACT _____
 PHONE _____ FAX _____
 EMAIL ADDRESS _____
 TAG NAME _____

SHIP TO

DEALER NAME _____
 DEALER ADDRESS _____
 CITY _____ STATE _____ ZIP _____
 CONTACT _____
 PHONE _____ FAX _____
 EMAIL ADDRESS _____
 PO# _____

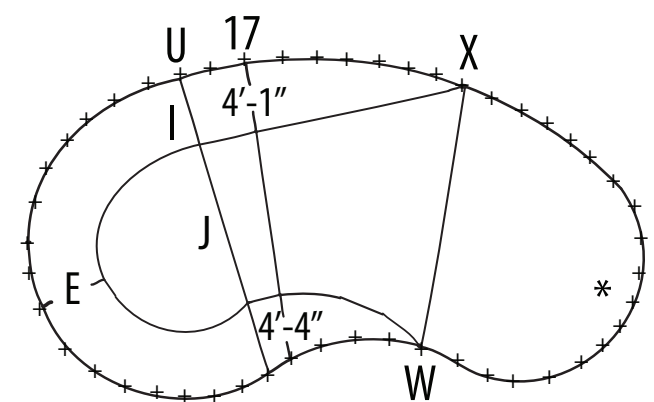
Fiberglass Steps <input type="checkbox"/> YES <input type="checkbox"/> NO <small>(If yes, please mark location of step on drawing below)</small>	Vinyl Covered Steps <input type="checkbox"/> YES <input type="checkbox"/> NO <small>(If yes, please fill out GLI step form and draw location on top view of drawing)</small>	Corner Type <input type="checkbox"/> Square <input type="checkbox"/> Radius _____ ft./in. _____ <input type="checkbox"/> Diagonal _____ ft./in. _____	Safety Ledge <input type="checkbox"/> YES _____ in. <input type="checkbox"/> NO	Wall (circle one) Beaded Overlap _____ in. Overlap w/ Tile _____ in.
--	--	---	--	--

	A	B		A	B		A	B
1			17			33		
2			18			34		
3			19			35		
4			20			36		
5			21			37		
6			22			38		
7			23			39		
8			24			40		
9			25			A	B	
10			26			U		
11			27			V		
12			28			W		
13			29			X		
14			30			E		
15			31			I		
16			32			J		
						C - Wall Height		
						D - Overall Depth		

CUSTOM FOLLOWING THE EXAMPLE BELOW, USE THE SPACE PROVIDED TO DRAW A SKETCH OF THE POOL.

If the sides of the transition slope are curved, please provide the following measurements. Run a tape measure across the pool from one point to another point. Then measure from the left edge of the pool to the left edge of the transition slope and then from the right edge of the pool to the right edge of the transition slope. (See example below) Intervals should be no more than 2' apart.

Measure the pool perimeter using A-B measurements. In addition, measure the location of the break lines (U,V,W,X) **SAMPLE DRAWING ONLY: DRAW YOUR POOL IN THE SPACE PROVIDED ABOVE.**



FROM	17								
TO	44								
LEFT	4'-1"								
RIGHT	4'-4"								



PHONE NO. 800-448-2343 • FAX NO. 330-744-1228 • www.glipoolproducts.com

TRUE-L & LAZY-L ORDER FORM

Pattern _____	Mil _____
Shipping: <input type="checkbox"/> UPS Ground <input type="checkbox"/> Common Carrier <input type="checkbox"/> 1-Day Air <input type="checkbox"/> Other <input type="checkbox"/> 2-Day Air	24 Hour Express Service <input type="checkbox"/> Express Service

DISTRIBUTOR INFORMATION

DISTRIBUTOR NAME _____
 DISTRIBUTOR ADDRESS _____
 CITY _____ STATE _____ ZIP _____
 CONTACT _____
 PHONE _____ FAX _____
 EMAIL ADDRESS _____
 TAG NAME _____

SHIP TO

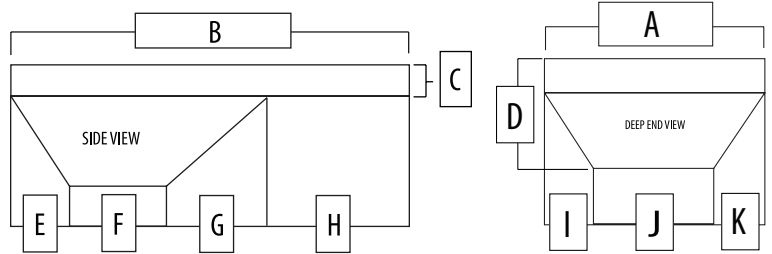
DEALER NAME _____
 DEALER ADDRESS _____
 CITY _____ STATE _____ ZIP _____
 CONTACT _____
 PHONE _____ FAX _____
 EMAIL ADDRESS _____
 PO# _____

Fiberglass Steps <input type="checkbox"/> YES <input type="checkbox"/> NO (if yes, please mark location of step on drawing below)	Vinyl Covered Steps <input type="checkbox"/> YES <input type="checkbox"/> NO (if yes, please fill out GLI step form and draw location on top view of drawing)	Corner Type <input type="checkbox"/> Square <input type="checkbox"/> Radius _____ ft./in. _____ <input type="checkbox"/> Diagonal _____ ft./in. _____	Safety Ledge <input type="checkbox"/> YES _____ in. <input type="checkbox"/> NO	Wall (circle one) Beaded Overlap _____ in. Overlap w/ Tile _____ in.
---	---	---	--	--

HOPPER PAD TYPE

Rectangle Oval Grecian Radius _____ inches

A _____ E _____ I _____ L _____ Diag. 1 _____
 B _____ F _____ J _____ M _____ Diag. 2 _____
 C _____ G _____ K _____ N _____ Diag. 3 _____
 D _____ H _____ O _____ Diag. 4 _____
 P _____ Diag. 5 _____



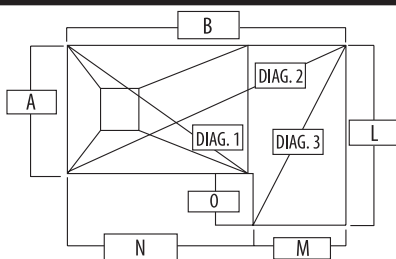
True-L - Right shown below

True-L Direction *

Right
 Left

Reverse Corner Type

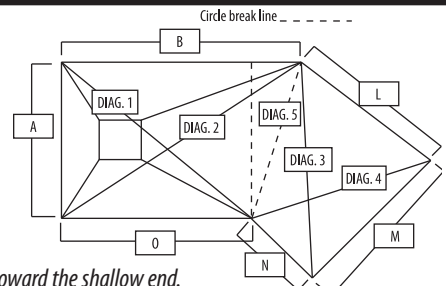
Square
 Radius _____ in.
 Diag. _____ in.



Lazy-L - Right shown below

Lazy-L Direction *

Right
 Left



* Pool direction is determined by standing at the deep end of the pool looking toward the shallow end.

Vinyl Covered Steps (check appropriate shape below)

	A
	B
*	C
**	D
**	E
**	F
***	G
***	H
***	I
***	J
	K
	L

Top Step Corners:

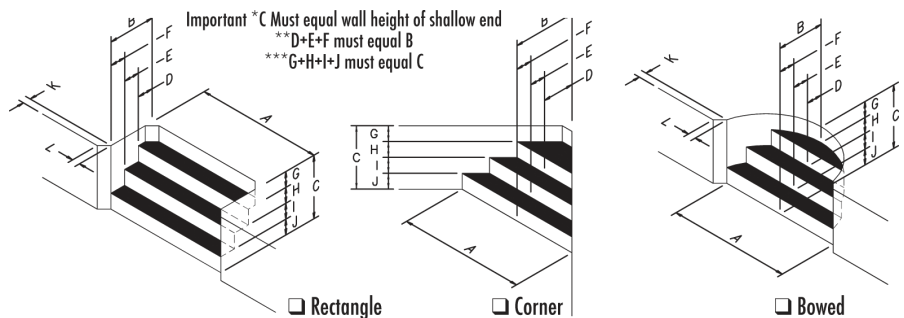
Square
 Radius _____ inches
 Diagonal _____ inches

Tread & Riser Material Pattern:

Same as floor (standard)
 White Non-Skid
 Blue Non-Skid

Rod Pockets: Yes No
 Size _____
Diameter of rod

Nailer Flaps: Yes No



Step Location:

Center End Shallow
 Other (Provide Drawing)

Step Setback: Yes No
 If yes, see below.

Setback Width (K) _____ inches
 Straight Angled (L) _____ inches

DIAGONAL MEASUREMENTS MUST BE TAKEN TO IMAGINARY SQ. CORNERS.



PHONE NO. 800-448-2343 • FAX NO. 330-744-1228 • www.glipoolproducts.com

RECTANGLE - OVAL - GRECIAN ORDER FORM

Pattern _____	Mil _____
Shipping: <input type="checkbox"/> UPS Ground <input type="checkbox"/> 1-Day Air <input type="checkbox"/> 2-Day Air	<input type="checkbox"/> Common Carrier <input type="checkbox"/> Other 24 Hour Express Service <input type="checkbox"/> Express Service

DISTRIBUTOR INFORMATION

DISTRIBUTOR NAME _____
 DISTRIBUTOR ADDRESS _____
 CITY _____ STATE _____ ZIP _____
 CONTACT _____
 PHONE _____ FAX _____
 EMAIL ADDRESS _____
 TAG NAME _____

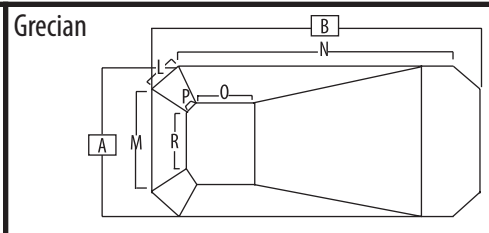
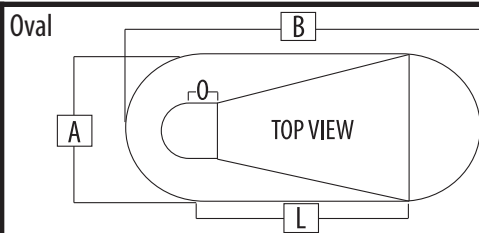
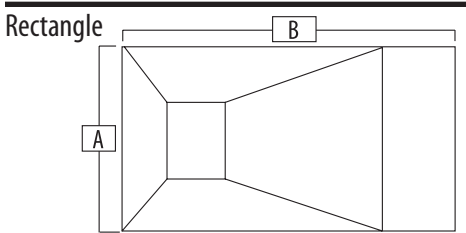
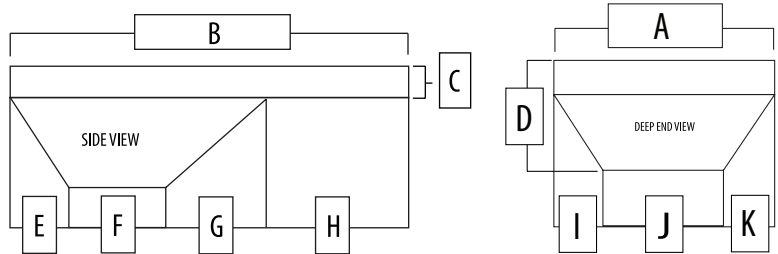
SHIP TO

DEALER NAME _____
 DEALER ADDRESS _____
 CITY _____ STATE _____ ZIP _____
 CONTACT _____
 PHONE _____ FAX _____
 EMAIL ADDRESS _____
 PO# _____

Fiberglass Steps <input type="checkbox"/> YES <input type="checkbox"/> NO <small>(if yes, please mark location of step on drawing below)</small>	Vinyl Covered Steps <input type="checkbox"/> YES <input type="checkbox"/> NO <small>(if yes, please fill out GLI step form and draw location on top view of drawing)</small>	Corner Type <input type="checkbox"/> Square <input type="checkbox"/> Radius _____ ft./in. _____ <input type="checkbox"/> Diagonal _____ ft./in. _____	Safety Ledge <input type="checkbox"/> YES _____ in. <input type="checkbox"/> NO	Wall (circle one) Beaded Overlap _____ in. Overlap w/ Tile _____ in.
--	--	---	--	--

HOPPER PAD TYPE

Rectangle Oval Grecian Radius _____ inches
 A _____ E _____ I _____ L _____ R _____
 B _____ F _____ J _____ M _____
 C _____ G _____ K _____ N _____
 D _____ H _____ O _____
 P _____



Vinyl Covered Steps (check appropriate shape below)

	A	
	B	
*	C	
**	D	
**	E	
**	F	
***	G	
***	H	
***	I	
***	J	
	K	
	L	

Top Step Corners:

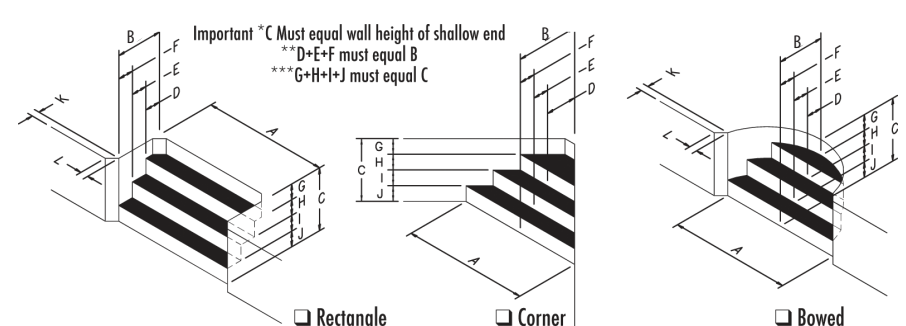
Square
 Radius _____ inches
 Diagonal _____ inches

Tread & Riser Material Pattern:

Same as floor (standard)
 White Non-Skid
 Blue Non-Skid

Rod Pockets: Yes No
 Size _____
Diameter of rod

Nailer Flaps: Yes No



Step Location:

Center End Shallow
 Other (Provide Drawing)

Step Setback: Yes No
If yes, see below.

Setback Width (K) _____ inches
 Straight Angled (L) _____ inches