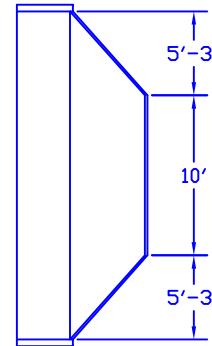
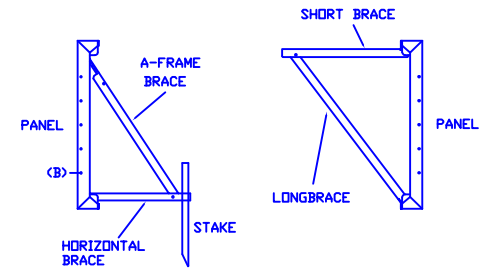


MANDATORY ROPE  
AND FLOAT 12 INCHES  
FROM SLOPE CHANGE

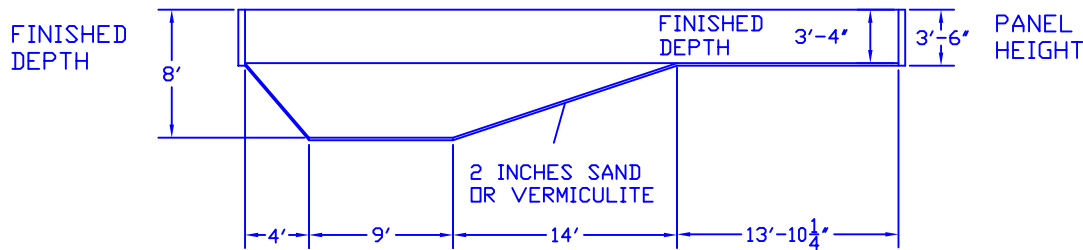


A-FRAME DETAIL    DECK SUPPORT DETAIL



NOTE: HORIZONTAL BRACE CAN BE FASTENED TO BOLT HOLE (B) TO EASE PLUMBING INSTALLATION.

AREA:            753 SQ. FT.  
PERIMETER:    111'-4"  
VOLUME:        25,500 GALS.



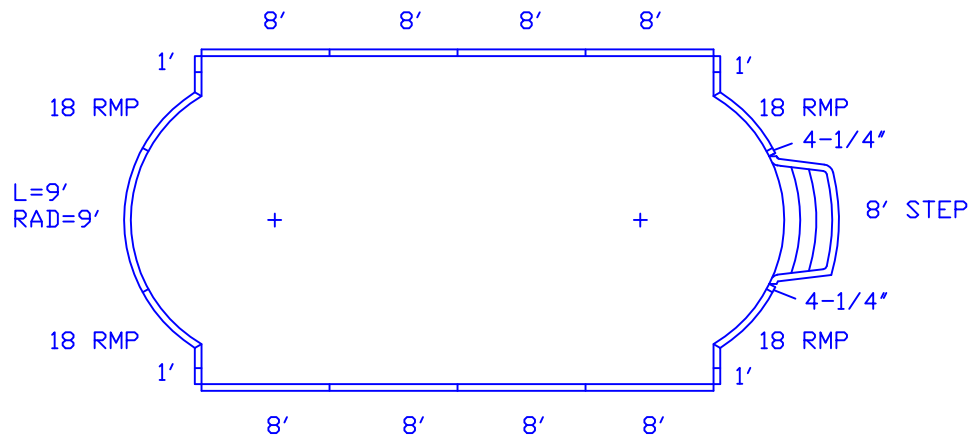
NOTE: A MEANS OF EGRESS FOR BOTH THE DEEP END AND THE SHALLOW END OF THE POOL MUST BE PROVIDED AS REQUIRED BY ANSI/NSPI-5 SECTION-6.

INTERNATIONAL SWIMMING POOLS NOTES SWIMMING POOLS ARE DANGEROUS WHEN USED IMPROPERLY. NEVER DIVE IN THE SHALLOW END OF ANY POOL. CONSULT WITH THE DIVING BOARD AND SLIDE MANUFACTURER(S) AND THE NATIONAL SPA AND POOL INSTITUTE (2111 EISENHOWER AVENUE ALEXANDRIA, VA 22314 (703-838-0083) PRIOR TO INSTALLING DIVING BOARDS AND/OR SLIDES ON THIS POOL TO ENSURE THE POOL MEETS THE EQUIPMENT MANUFACTURERS MINIMUM STANDARDS FOR ALLOWABLE INSTALLATION OF THEIR PRODUCT(S) ON THIS POOL. INTERNATIONAL SWIMMING POOLS IS NOT RESPONSIBLE FOR THE POOL'S INTERIOR DETAIL, RATHER THE LINER MANUFACTURER MUST ENSURE THE INTERIOR MEETS N. S. P. I. AND A. N. S. I. STANDARDS. IT IS THE RESPONSIBILITY OF POOL BUILDERS, TOWN OFFICIALS AND POOL OWNERS TO FOLLOW ALL SAFETY GUIDELINES OF THE N. S. P. I., LOCAL ORDINANCES, AND EQUIPMENT MANUFACTURERS.

**DWG# PKSDR2041X06**  
20' 6" X 40' 10" DOUBLE ROMAN  
W/ 6" RADIUS CORNERS

**DWG# PKSDR2041X90**  
20' 6" X 40' 10" DOUBLE ROMAN  
W/ 90° CORNERS

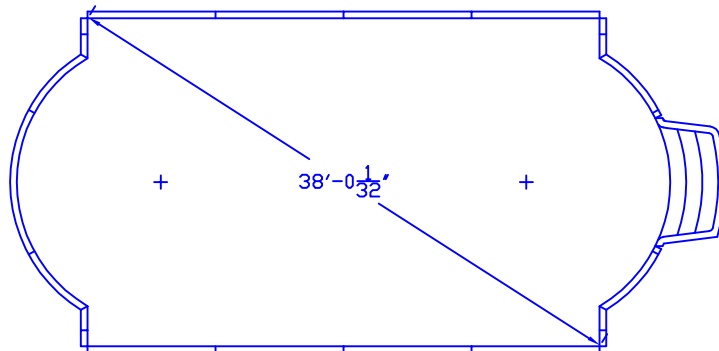




**BILL OF MATERIALS**

QTY	DESCRIPTION
2	4-1/4" (INCH) STRAIGHT PANEL
4	1' STRAIGHT PANEL
8	8' STRAIGHT PANEL
1	L=9' RAD=9' #24 PANEL
4	18 RMP ROMAN CORNER PANEL
4	90 DEGREE VERTICAL FILLER
1	8' CHORD FIBERGLASS STEP * *

\* \* SUPPLIED BY DEALER



**DWG# PKSDR2041X06**  
 20' 6" X 40' 10" DOUBLE ROMAN  
 W/ 6" RADIUS CORNERS

**DWG# PKSDR2041X90**  
 20' 6" X 40' 10" DOUBLE ROMAN  
 W/ 90° CORNERS

