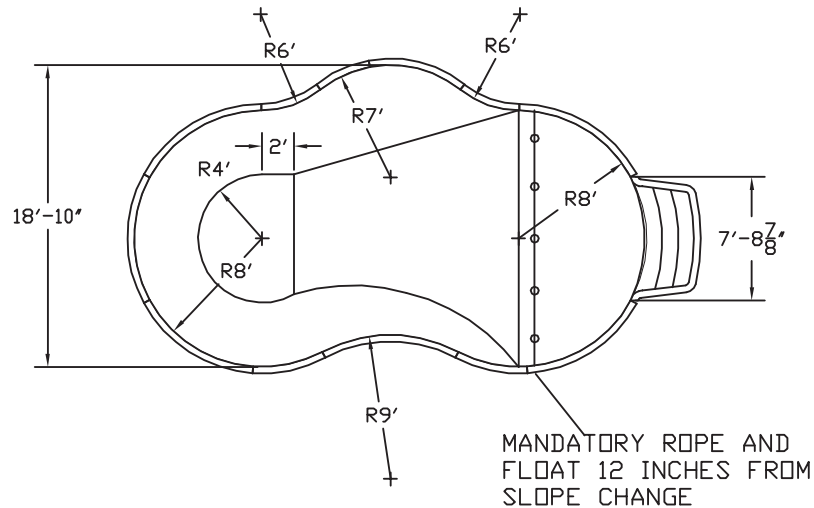


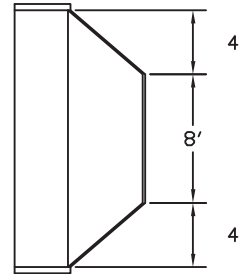
POOL PERIMETER: 84'-2 5/8"

POOL AREA: 464 SqFt

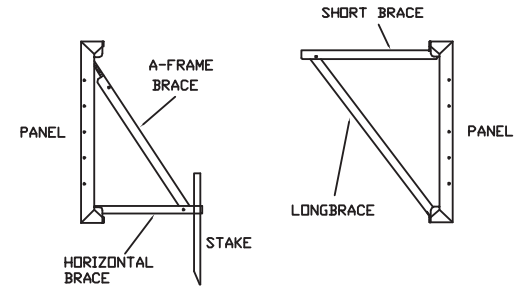
VOLUME: 19,700 APPROX. GAL.



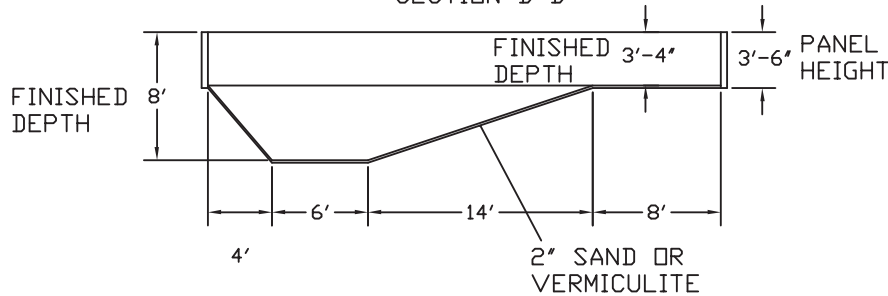
SECTION A-A



A-FRAME DETAIL DECK SUPPORT DETAIL



SECTION B-B



NOTE:

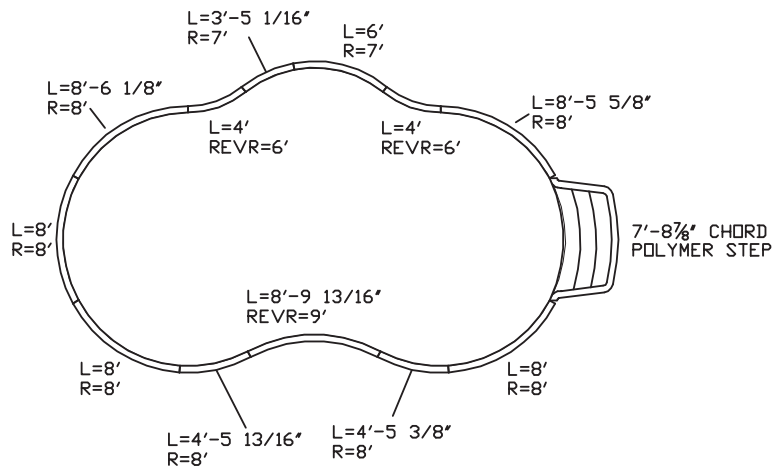
- 1) DEPTH AND SHAPE OF POOL MEETS MINIMUM STANDARDS OF THE RESIDENTIAL CODE OF NEW YORK STATE; AND, BUILDING CODE OF NEW YORK STATE 2007.
- 2) A MEANS OF EGRESS FOR BOTH THE DEEP END AND THE SHALLOW END OF THE POOL MUST BE PROVIDED AS REQUIRED BY ANSI/NSPI-5 SECTION-6.
- 3) BONDING AND GROUNDING TO BE PROVIDED IN ACCORDANCE WITH NEW YORK RESIDENTIAL CODE CHAPTER 41.
- 4) ALL A-FRAME BRACES WILL BE MOUNDED WITH A MINIMUM OF (1) CUBIC FOOT OF CONCRETE, OR A 6" POURED CONTINUOUS CONCRETE PERIMETER COLLAR.
- 5) "NO DIVING" LABELS TO BE INSTALLED AROUND PERIMETER OF THE POOL.
- 6) SUCTION ENTRAPMENT AVOIDANCE IS TO BE INSTALLED IN ACCORDANCE TO NEW YORK STATE BUILDING CODE SECTION AG 106.
- 7) POOL/SAFETY INTRUSION ALARM TO BE INSTALLED IN ACCORDANCE TO NEW YORK STATE REGULATIONS.
- 8) SEPARATE PLANS OF PLUMBING AND ELECTRICAL SYSTEMS MUST BE PROVIDED.

AQUA-STEEL POOLS NOTES SWIMMING POOLS ARE DANGEROUS WHEN USED IMPROPERLY. NEVER DIVE IN THE SHALLOW END OF ANY POOL. CONSULT WITH THE DIVING BOARD AND SLIDE MANUFACTURER(S) AND THE NATIONAL SPA AND POOL INSTITUTE (2111 EISENHOWER AVENUE ALEXANDRIA, VA 22314 (703-838-0083) PRIOR TO INSTALLING DIVING BOARDS AND/OR SLIDES ON THIS POOL TO ENSURE THE POOL MEETS THE EQUIPMENT MANUFACTURERS MINIMUM STANDARDS FOR ALLOWABLE INSTALLATION OF THEIR PRODUCT(S) ON THIS POOL. AQUA-STEEL POOLS IS NOT RESPONSIBLE FOR THE POOL'S INTERIOR DETAIL, RATHER THE LINER MANUFACTURER MUST ENSURE THE INTERIOR MEETS N. S. P. I. AND A. N. S. I. STANDARDS. IT IS THE RESPONSIBILITY OF POOL BUILDERS, TOWN OFFICIALS AND POOL OWNERS TO FOLLOW ALL SAFETY GUIDELINES OF THE N. S. P. I., LOCAL ORDINANCES, AND EQUIPMENT MANUFACTURERS.

DWG# PKSOH1632

16' X 32' OAHU





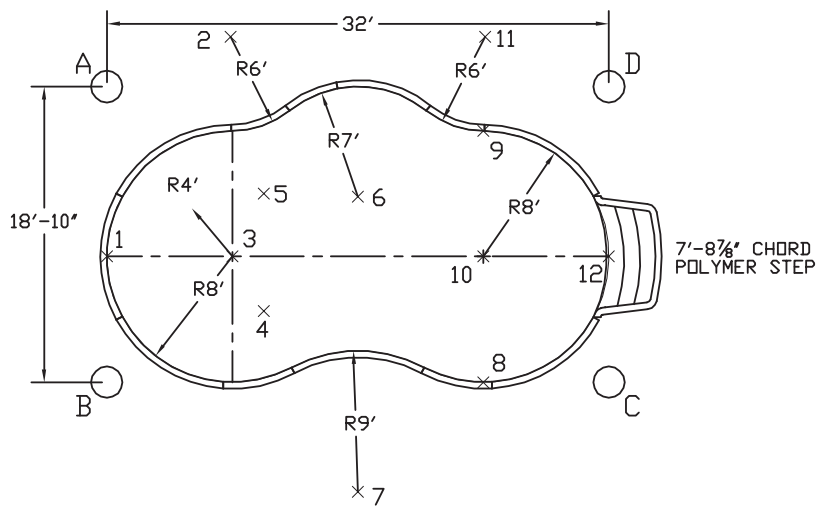
BILL OF MATERIALS

QTY.	DESCRIPTION
1	L=4'-5 3/8" RAD=8'
1	L=4'-5 13/16" RAD=8'
3	L=8' RAD=8'
1	L=8'-5 5/8" RAD=8'
1	L=8'-6 1/8" RAD=8'
1	L=3'-5 1/16" RAD=7'
1	L=6' RAD=7'
1	L=8'-9 13/16" REVRAD=9'
2	L=4' REVRAD=6'
1	7'-8 7/8" CHORD POLYMER STEP

DWG# PKSOH1632

16' X 32' OAHU





- POINT A TO
- 1) 10'-10"
  - 2) 8'-6 1/8"
  - 3) 13'-5 5/8"
  - 4) 17'-5 3/8"
  - 5) 12'-1 5/16"
  - 6) 17'-5 9/16"
  - 7) 30'-4 5/8"

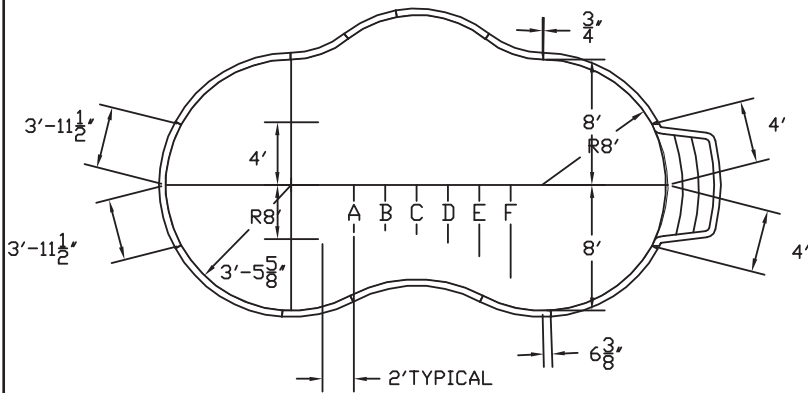
- POINT B TO
- 1) 8'
  - 2) 23'-4 1/2"
  - 3) 11'-3 3/4"
  - 4) 10'-11 3/4"
  - 5) 15'-7 7/16"
  - 6) 19'-10 13/16"
  - 7) 17'-5 9/16"

- POINT C TO
- 8) 8'
  - 9) 17'-10 11/16"
  - 10) 11'-3 3/4"
  - 11) 23'-4 1/2"
  - 12) 8'

- POINT D TO
- 8) 20'-5 9/16"
  - 9) 8'-5 13/16"
  - 10) 13'-5 5/8"
  - 11) 8'-6 1/8"
  - 12) 10'-10"

POINT A TO C: 37'-1 9/16"

POINT B TO D: 37'-1 9/16"



Slope:

- |              |                 |
|--------------|-----------------|
| A) 3'-0 1/4" | D) 3'-8"        |
| B) 2'-11"    | E) 4'-6 1/2"    |
| C) 3'-1 5/8" | F) 5'-10 13/16" |

DWG# PKSOH1632

16' X 32' OAHU

