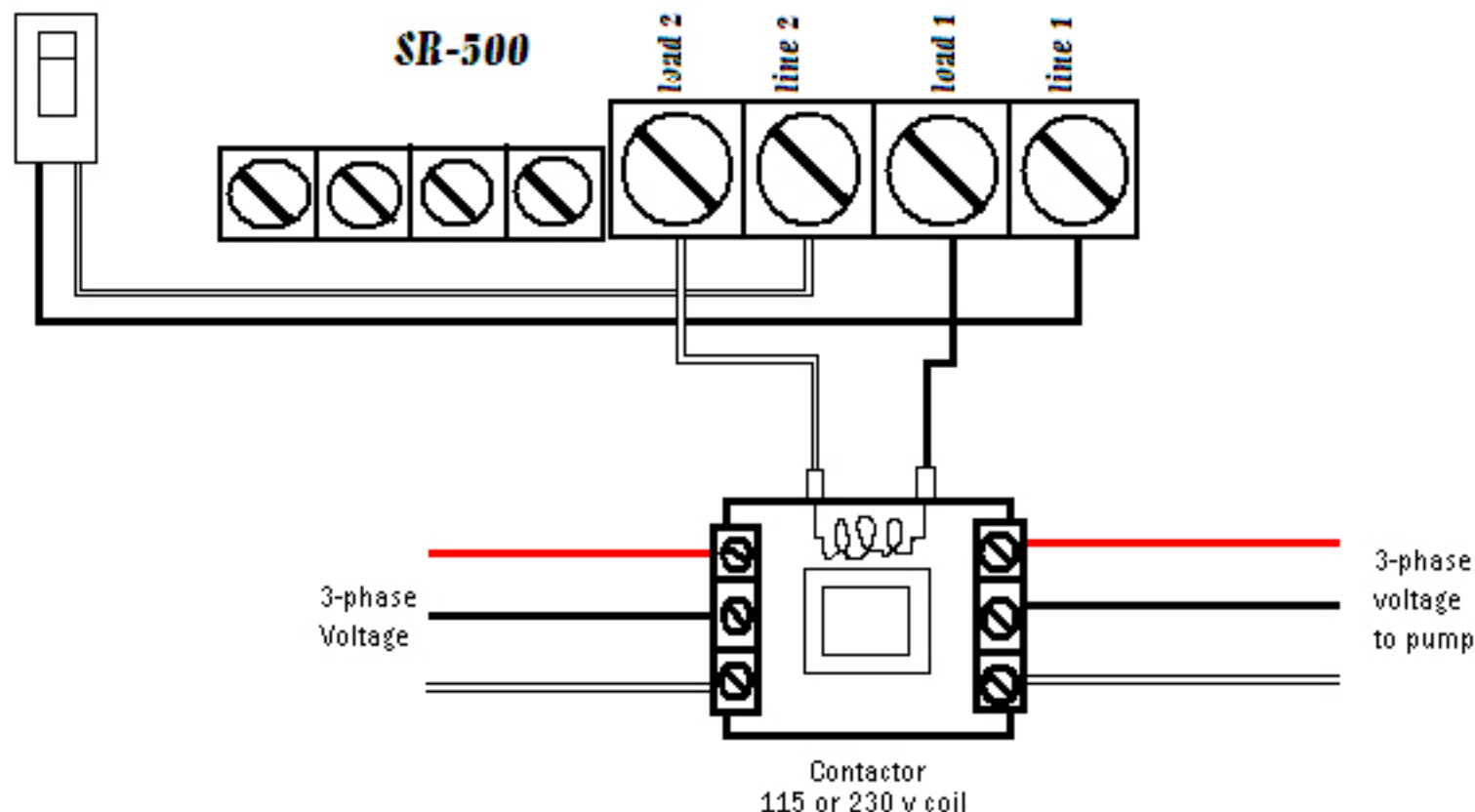


3-phase pump interface

Dedicated
single-phase circuit
(115 or 230 volt)



For pump loads greater than 3hp/20 amp or 3-phase pumps. Carry the pump load w/ an external contactor (or use the start contactor in some 3-phase pumps) Supply the SR500 w/ 115 or 230 via separate dedicated circuit